

Mixers and pumps in segment construction of highest quality



BRAND stirring and pumping technology

Set standards and deliver benefits

Benefits for our customers

Emerging from the company BRAND Gülletechnik, whose knowledge and experience fit perfectly into the overall profile of the Huning Group of Companies, we provide agriculture, the biogas sector and municipal companies with qualitative and innovative solutions.

Develop, design and manufacture

The stirring and pumping technology for tasks in cattles, pigs, biogas and slurry tanks requires great know-how in order to optimize the solutions, to make the slurry management effective and to secure biogas yields. The interaction with the fluid pump must be precise.

Innovative solutions for your success

PTO slurry mixer, manure joint and double articulated mixer, electric and hydraulic mixers, submersible mixers, pumps and more.



The team of Brand Rühr- und Pumptechnik GmbH is looking forward to your requirements and suggestions.

Content	2	Submersible mixer Slalom system	20
Straight PTO mixers	4	Submersible mixer for tanks	22
Joint Mixer	9	Filling- and emptying systems	24
Double-Joint mixer	12	Mini-Mix Jet / cattle / pigs	26
PTO Mixer with Jet system	14	Various mixing and pumping	28
Hydraulic mixer	18	Huning group	30

Rake series B01

- Rake in stable, flanged segmental construction
- Segment tube made of high-strength seamless steel tube
- Large dimensioned flange bearing for quiet running and high axial forces
- Highly tempered connection shafts 42 CroMo4 for high torques
- Suction or pressure wing Ø 600mm (other wings and Ø on request)
- Galvanized or acid resistant powder coating



B01-48

Hinged mixers series B05

Reinforced version 133 outer tube

- For longer lengths two hydraulic cylinders for supporting frame inclination adjustment
- Ideal for forced circulation systems
- Large dimensioned flange bearing for quiet running and high axial forces
- Standard with hydraulic cylinders for swinging in
- Standard with specially curved pressure wing Ø 600mm



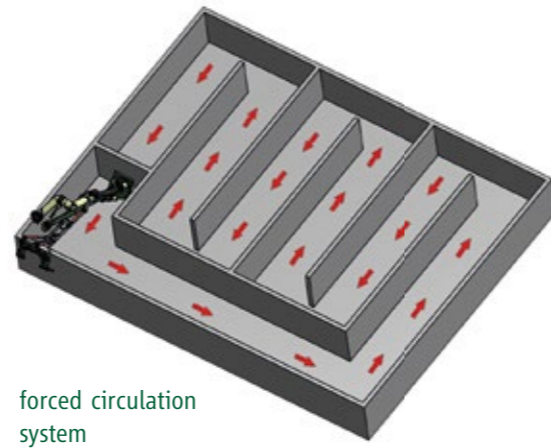
B05 M1Z with hydraulic inclination adjustment

Hinged mixer series B04

- Ideal for forced circulation systems
- Cranked swing bracket for small openings on request
- Support frame tilting with hydraulic cylinder, alternatively with chain
- Standard with specially curved pressure wing Ø 600mm
- Large flange bearing / segmented construction for smooth running and high axial forces



B04-50
square ring 700x700



forced circulation system

BE-Z

Geared motor with PTO stub and connecting flange for driving a permanently installed PTO mixer. The motor has to be attached on a concrete slab.



BE-Z



B04-65 with square ring

On request with hydraulic rake swivel and automatic handle



Installation stretch of concrete slab with forklift pockets

Electric gearbox mixer series B-EGM

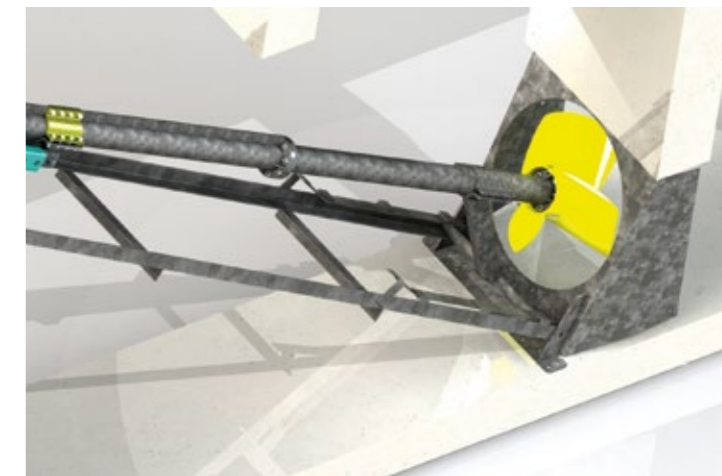
- For closed pits with openings from 600 x 600mm
- Hardened cutting blade Ø 450mm with optimized inclination and protection ring Ø 550mm (for small openings also in divided design)
- In height, angle of inclination and immersion depth adjustable with winch
- Also with wall bracket, without chassis available
- Rake lengths: 4m, 5m
- Motor size: 8,8kW



B-EGM 88-4 with transport cart

Drive in rail and conical mainting frame

- Improved effect of the wing through higher circulation. The double angle entry rail with cross struts serves for the exact positioning of the mixer.
- In galvanized or stainless steel
- Angle Steel 60mm or 80mm
- Wing support on the mixer allows a comfortable and fast retracting off the mixer



Drive in rail and mixer

Electric mixer BE and electric gearbox mixer BEG

Rake in stable flanged design
BE with direct drive 7,5 - 11 kW
BEG with geared motor 15 - 22 kW

- Different brackets
- For tractor / front loader with euro quick-change frame
- On rotary bracket
- With support bracket or customized according to customer requirements



BEG 150-5000 with rotary bracket and tilt adjustment

System Hölscher & Leuschner



Rotary bracket

Wall anchor frame

- Retrofittable by simple installation
- For mixers with wing support or stirring square ring angular



Wall anchor frame



Square ring 700x700mm for frame



Round stirring ring for concrete cone



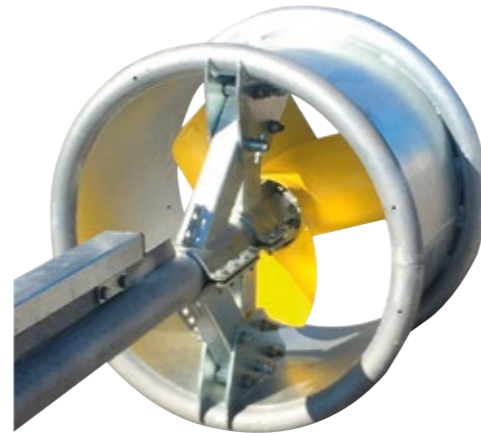
Wing

Each mixer can be customized to your needs and conditions, equipped with a suction / pressure or neutral wing. Standard wing Ø 600mm other diameters on request

suction, pressure, neutral wing

Lagoon mixer series B02

- Stable segment construction, variable length
- Series L up to max. 8m
- Series M up to max. 9m
- Series J up to max. 13m
- Stable pull-out supports with handle
- Large flange bearing / segmented construction for quiet running and high axial forces
- Additional frame reinforcement on long Mixers of the J series
- High quality wing bearing seal
- Standard with specially curved Ø 600mm pressure wing



Stirring ring for foil basins with cover

Joint Mixer series L

- 3-point support frame for tractors up to 100 H.p.
- Very flexible and maneuverable
- Ideal in tight conditions
- Mixer length by segment design individually changeable
- Support frame inclination adjustable with hydraulic cylinder; alternatively with chain
- Quick-release joint for shared transport
- Hydraulic joint from tractor to actuate
- Hydraulic side swivel for a bigger range



B30-25 L1Z



B02-100 J2Z



B02-95 J2Z



Mixer swiveld to the side



In cattle stable



B02- 80 series M



Lower link pin for inclination



Side swivel



Folding propeller

Joint mixer series M

One mixer for every application

- For container heights of maximum 4 meters
- Lagoons
- Pits
- 3-point support frame for tractors over 100 hp
- Flexible and maneuverable
- Mixer length by segment design individually changeable
- Easy handling
- Support frame inclination adjustment with hydraulic cylinder; alternatively with chain
- Hydraulic joint to actuate from the tractor
- Quick coupling joint for split transport



B65-65 M2Z SSW with lagoon foot

Joint mixer series J

One mixer for every application

- For container heights of maximum 5.5 meters
- Lagoons
- Pits
- 3-point support frame for tractors over 100 H.p.
- Mixer length by segment design individually changeable
- Support frame inclination adjustment with hydraulic cylinders
- Hydraulic joint to actuate from tractor
- Hydraulic side swivel for a bigger range of action
- Quick coupling joint for compact transport
- Hydraulic mountain supports as additional option



B70-70 J2Z



Transport device with hanging bracket



B40-65 M1Z



B90-80 J2Z in front of a tank



B80-70 J2Z SSW swiveld to the side in a lagoon



Propeller stand



Quick coupling joint



B30-25 M1Z



Propeller stand for mixers with side swiveld



Lagoon foot



Joint

Double Joint mixer

Ideal for contractors, to use in lagoons and high tanks up to a maximum height of 8 m with substrates that are difficult to homogenize or for containers with a roof

The equipment on the mixer is individually adapted to the respective requirements and circumstances.



B70-10-60 JZS SSW

Double Joint mixer

- 3-point support frame for tractors over 100 H.p.
- Support frame inclination adjustment with 2 hydraulic cylinders
- Fast and complete folding for transport
- Stable modular system with bearings on every flange. Mixer up to a total length of 22m possible
- Patented synchronous control of the joints
- Side swivel with frame construction for stabilization



B80-10-10 JZS SSW in a lagoon



B80-10-70 JZS SSW



B70-10-60 JZS SSW



B70-10-60 transport position



Lagoon foot with rolls



Hydraulic stilts



Double joint with synchronous control (Patent)



Electrohydraulic radio remote control



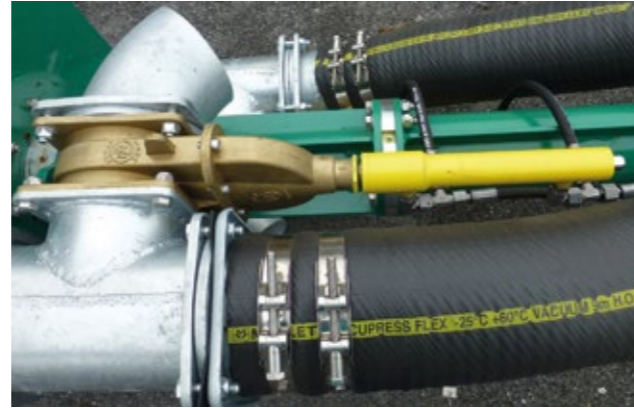
Transport cart



Transport cart with 3 Point connection

B05- Jet 500 / Jet 700

- 3-point support frame with 2 hydraulic cylinders for tilt adjustment
- Hydraulic cylinder for swing in
- All functions controllable by the tractor
- Hose
MP Jet 500 1 x NW 150
MP Jet 700 2 x NW 150 to 1 x NW 200
- Hose quick coupler
MP Jet 500 NW 150
MP Jet 700 NW 200
- Stirring nozzles adjustable
Jet 500 1x
Jet 700 2x



Nozzles Jet 700



700er Jet housing with two nozzles



500er Jet housing with one nozzle



B05-65 2Z Jet 700 MP



B05-55 2Z MP Jet 700

B02-Jet 500 / Jet 700 / Jet 1200

Series B02 M for Jet 500 / Jet 700
Series B02 J for Jet 1200

- 3-point support frame with 2 hydraulic cylinders for tilt adjustment
- All functions controllable by the tractor
- Hose
MP Jet 500 1 x NW 150
MP Jet 700 2 x NW 150 to 1 x NW 200
- Hose quick coupler
MP Jet 500 NW 150
MP Jet 700 NW 200
- Stirring nozzles adjustable
Jet 500 1x
Jet 700 2x
- Lagoon foot for use in foil basins



Jet housing 700 with two nozzles



In lagoons



B02-50 J2Z MP Jet 700



Quick coupling



Extreme floating layers



Mixer at the lagoon

Joint mixer series M / J Jet 500 / 700 / 1200

Depending on the overall length and Jet system, the articulated mixer series M or J is required

PERFORMANCE DATA

MP Jet 500 pumping capacity up to 8m³ / min

- 1x NW 150 with hose quick coupler
- 1 mixing nozzle, adjustable

MP Jet 700 pump capacity up to 18m³ / min

- 2x NW 150 on 1x NW 200 with hose quick coupler
- 2 mixing nozzles, adjustable

MP Jet 1200 pump capacity up to 28m³ / min

- 2x NW 150 on 1x NW 200 with hose quick coupler
- **Rotatable housing** with 2 stirring openings, stirring jet horizontal and vertical



Mixer pivoted left/right

Double Joint mixer Jet 700 / 1200

Stirring and pumping with one device (patent).
Can be used in high tanks, lagoons and pits.

- Pumping capacity of up to 28 m³ / min
- Force neutral through diagonal Double-jet vertical and horizontal
- In all functions adjustable
- Swiveling, foreign body insensitive stirring housing Jet 1200
- Load Sensing
- With electrohydraulic control
- Stirring and pumping with a device (patent)
Can be used in high tanks, lagoons and pits
- With front filling for fast filling of transport tankers on request
- Filling tube adjustable in height, extension distance and all directions



Jet housing 1200



B65-65 J2Z MP Jet 1200



B70-10-60 J2Z Jet 1200 with front filling with tank



Joint with hose series J



Small joint mixer



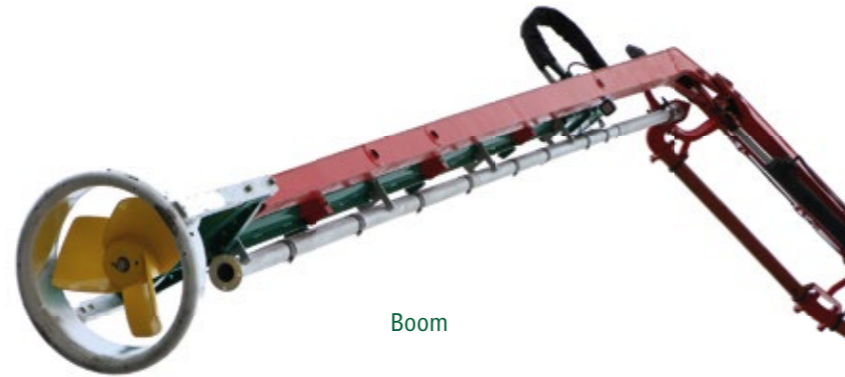
B70-10-60 J2Z Jet 1200



Front filling with tank

B01 H-BF / BA rake with hydraulic motor

- For concrete pump vehicles and excavators
- Axial piston motor from 200 to 350 bar
- Separate maintenance unit with service cover
- Stable flange bearings
- Special seal on the wing part
- Pressure wing up to Ø 700mm
- Reinforced stirring ring



Boom

B01 H-TK / FL

- For telescopic loaders and front loader attachment
- On request with folding on vehicle for safe transport
- On request with lateral pivoting



BMM H-RL / HL stirring sword for gaps

- For wheel loader / yard loader
- Attachment for stirring through the slatted floor



Minimum for
Column width: 23mm
Column slot: 210mm

Practical lowering and lifting by flexible track, which compensates the stroke of the hoftrac/wheel loader.
Equipped with the proven functions and technical components of the Mini-Mix gap mixer with three phase motor.

Options:
Water pressure lubrication
Wall mounting
Lighting



Reinforced stirring ring



Concrete pump vehicle



Effective and powerful



B3TR submersible mixer

- Stable stainless steel - Slalom tunnel 900 x 900mm
- Streamlined and stable
- With Z-rails as a guide on the pit wall or with U-rails between the walls
- Height adjustment with closing plates for working close to the floating layers



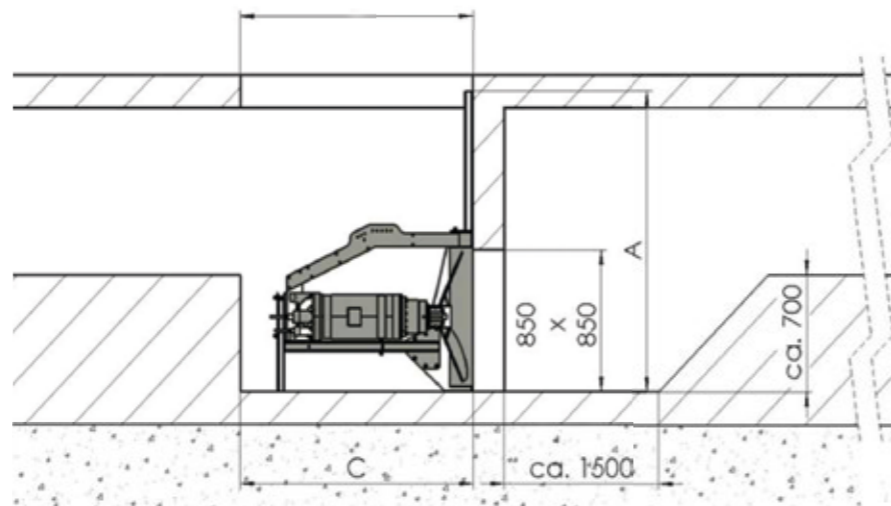
Mechanical seal with additional high quality special seal for a long life



B3TR 18,5kW

Installation

- Measurements:
- * A Deep under the slats
 - * B Length opening
 - * C Length
 - * D Wide of the opening



Mounted with closing plates

B3TR Submersible mixer 3-blades

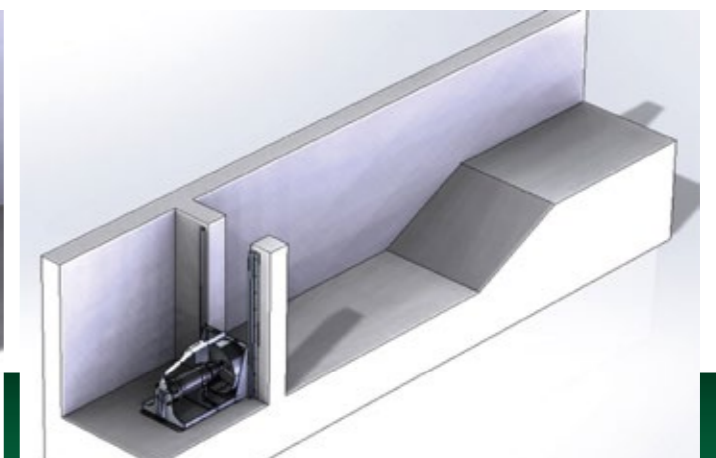
- Stable stainless steel - Slalom tunnel 700x700mm
- Series A for retrofitting at existing entry rails
- Series B for installation with Z or U-rails,
- Wing diameter adjusted to kW power of the engine



B3TR 11kW



Series A: Slalom tunnel 700 x 700mm or 625 x 625mm



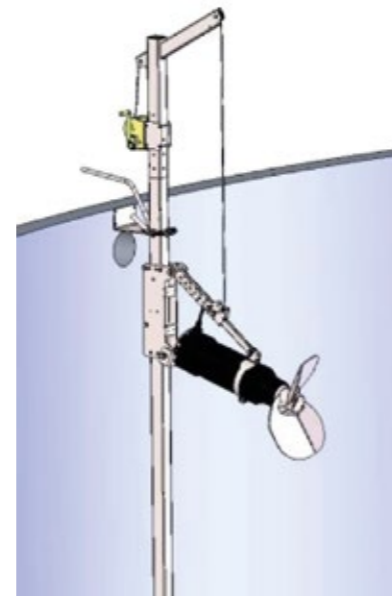
Series B: Opening 700 x 700 mm. Ideal for shallow channels

B3TR Submersible mixer for tanks

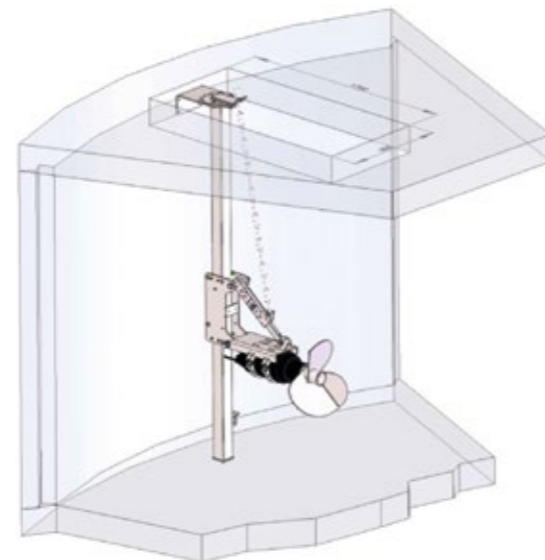
- Efficient stainless steel propeller 2- or 3-blades
- For elevated tanks with lifting forges manual height adjustment
- Stable motor console for guide tube with the possibility of stirring tendency
- Engine sizes: 7.5kW to 22kW
- Slim and streamlined design
- Robust planetary gearbox
- 15 meters of cable
- Thermic winding protection and leak probe for sealing monitoring



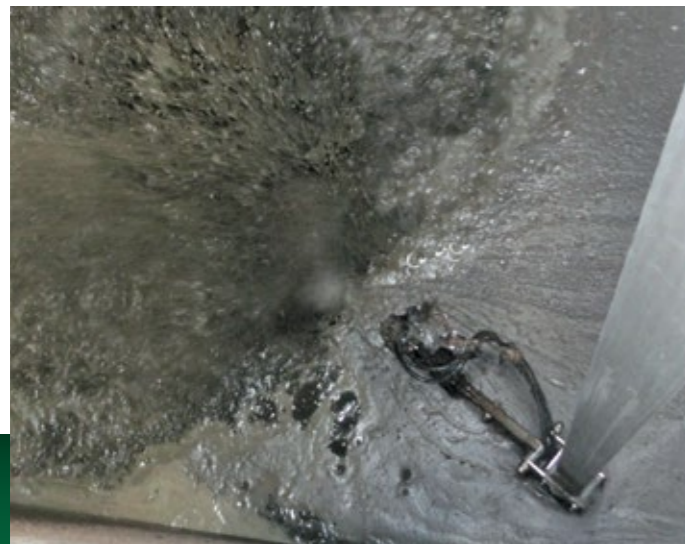
B3TR 18,5 kW



Installation in a tank



Installation under the slatted floor



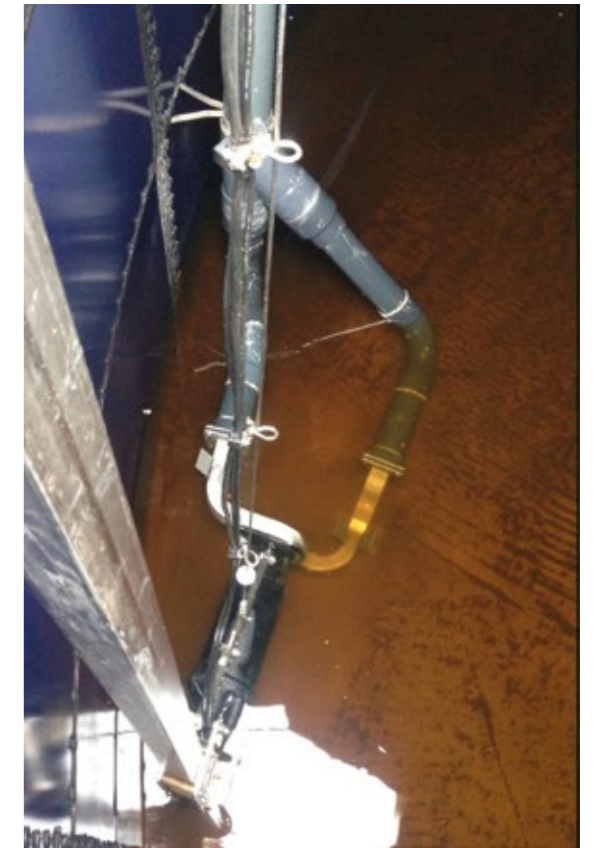
Used in tank

B3TR submersible mixerJet

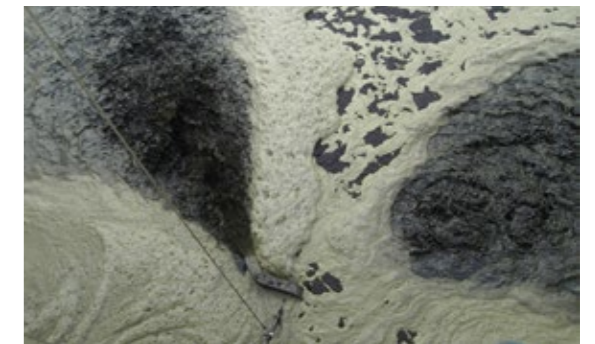
- Stirring and pumping with one device
- Fast and long-range release of the swimming layers from the container wall
- Easy adjustment to stirr sinking layers
- Use as a pump without conversion
- Stirring from a level of 0.5 meters
- Double stirring jet
- Direct drive with 1,450 rpm.
- Compact, slim design
- Integrated thermo-control system and leak sensor
- Mechanical seal
- Specially shaped stainless steel impeller



B3TR 185kW-Jet



Retracted in the pumping unit



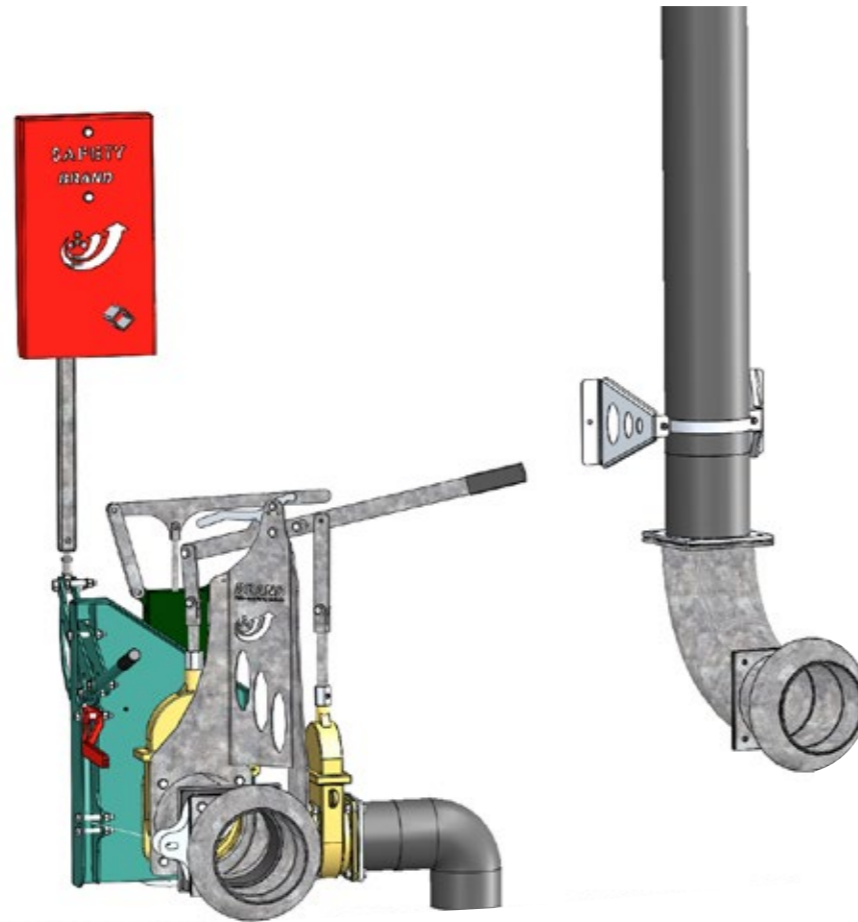
Double agitation jet



B3TR Jet with pumping device

Filling and emptying systems

In the case of an accident, this system ensures that at least one of the existing shut-off devices closes immediately and automatically. This prevents the uncontrolled escape of biomass and manure from the storage tank.
 (Patent submitted)
 Utility Model 20 2018 104106



Front suction Jet 600

For quick and easy transfer of manure or fermentation substrates from the feeder vehicle to the manure tank
 Shortening of the filling / refilling time due to integrated filling accelerator Jet 600

- base frame and extraction arm, powder-coated
- 500 l integrated ballast chamber
- 3.2 meters boom

As a service we offer the individual connection of the front suction unit to the manure



Fillingstation for tanks 6" and 8"



Swinged out arm



To attach



Front unit with suction accelerator

Connection to the tank

BMM Mini-Mix Channel mixer

- Aggressive double-jet
- Force neutral through opposite arranged outlet openings
- Large range of action by rotating Jet housing
- High area performance in deep and also in shallow channels and tubs
- Lateral pivoting by a full 360 ° (Patent) allows pivoting in transport position
- Easy conversion to column mixer sword (R + S) of equal lengths
- Motor sizes: 5.5kW; 7.5kW; 9.2kW; 11kW at 1450 rpm. and 400V

Minimum pit opening 300 x 330mm
 with flap control 330 x 400mm
 with pump 330 x 410mm

The flap control allows vertical stirring to process sinking layers and catch up floating layers. Equipped with the pump head it can be pumped down to the almost empty channel.



BMM 92 Jet 10 P
Mini-Mix with
pumping unit

BMM Mini-Mix Gap mixer

- VA sword; hardened stainless steel shaft and blades
- Special bronze bearings with water pressure lubrication
- Simply wing lock in slot position
- Lateral swiveling by 360 ° (Patent) allows pivoting in transport position
- Swiveling of the sword steplessly around the motor axis
- Due to the fixed propeller blades it is possible to work on sucking and pressing.
- Turn star-delta switch with special switch axel seal
- For cow cattles (23mm) for pig cattles (17mm)
- Engine sizes: 5.5kW; 7.5kW; 9.2kW; 11kW at 1450 rpm. and 400V, 16A or 32A



In the gap



Special size BMM 110 R 18



Turnable

Additional Equipment:



Additional equipment: Safety Cart Brake



Sword cover



Castor wheels



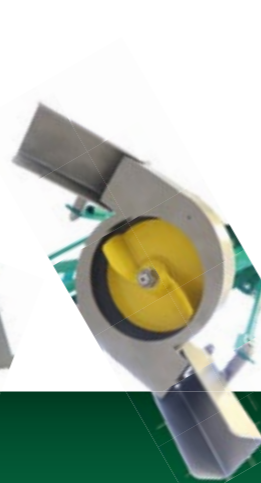
Mixer swiveld



Flaps down



Flaps up



Impeller

Thick matter long shaft pump DGP / ES und / ZS

With electric motor (type ES)

- Drive power 5kw - 20kW
- Flow 3000 - 8000l / min.
- Output hight 8 - 20m

With PTO drive (type ZS)

- Speed 540rpm.
- Drive power up to 120 hp
- Flow rate up to 12000l / min.
- Output hight to 28m
- Heavy angle gearbox

Electric motor and PTO drive

- Direction independent mechanical seal or sliding bearing with lubrication pipe in stainless steel
- With WIDIA tearing edges

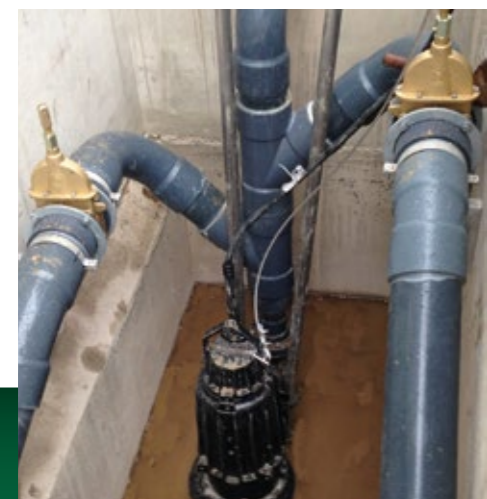
Nozzle horizontal and vertical movable



Submersible pump B-TPS und B-COK-R

To pump cattle manure with fodder and litter remains up to 12% TS. Without cutting unit for the pumping of pure pig manure without straw and Roughage leftovers.

- Motor sizes 7,5kW - 22kW TPS
7,5kW - 19,5kW COK-R
- Sealing and temperature monitoring
- Mechanical seal
- With base and hose connection or Lowering guide with coupling foot



Installation



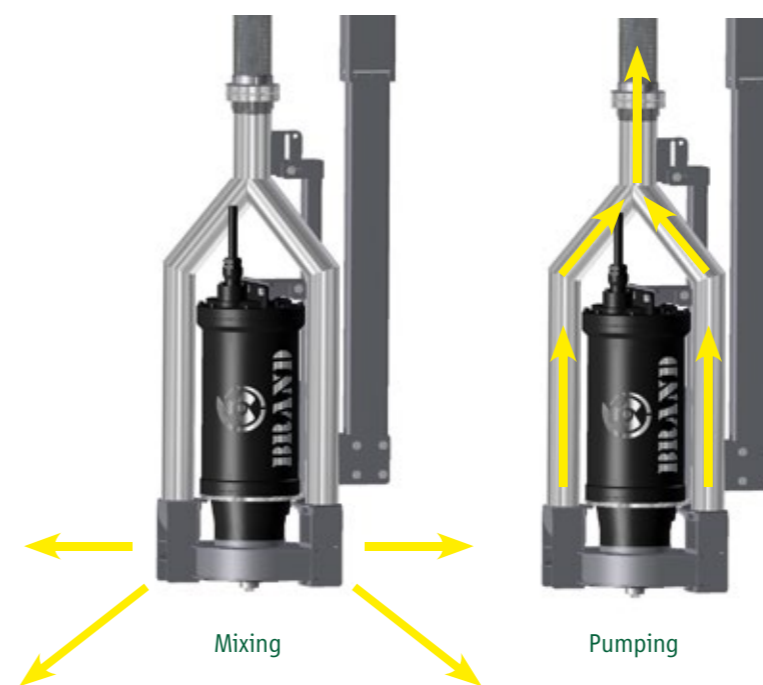
Impeller type 2



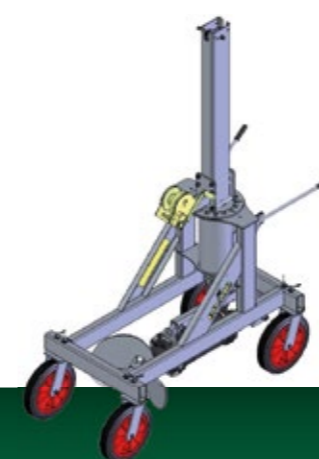
Impeller type 1

BMTR mobiles submersible mixer

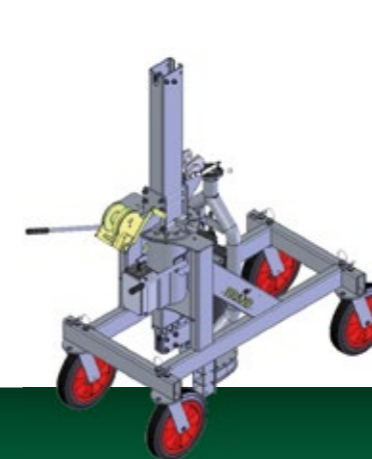
- With propeller or jet housing
- Easy to move by transport carts
- The tilt and height adjustment allows the optimal adaptation to the level of floating or sinking layers
- Low hight by V2A telescope tube
- Large range of action
- Force neutral stirring with double jet jet
- 360 ° rotating jet housing
- Telescopic in 3 stages
- Total height: 1,95m - 2,15m
- Chassis width: 0.8m
- Immersion depth: 2.0 - 3.5m
- Engine size: 7,5kW - 15kW



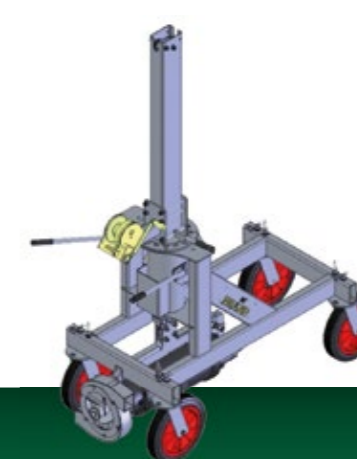
BMTR



BMTR with propeller



Jet System vertical



Jet System horizontal

Heitling Fahrzeugbau GmbH & Co. KG

- Volume up to 32 m³
- Dead weight from 5,180 kg
- Rotary pump at the rear of the vehicle
- Baffle according to DIN
- Automatic level switch off



Liquid manure semi-trailer

- Permitted total weight: 24 t and 34 t
- Capacity: approx. 40 m³ to 50 m³
- TÜV approval: 40 km / h
- Power: max. 15-28 KW
- Pressing pressure: approx. 11t
- Pushing speed: 54 sec. At 80 liters of oil
- Tires: 620/60 R 26.5 standard
- Loading floor: stainless steel
- BPW tandem swing axle agregat
- Ball coupling K 80 with 4 t vertical load



Push Master

- Total permissible weight: 32 t and 39 t
- Volume: approx. 50 m³ to 60 m³
- TÜV approval LOF or 80 km / h
- Pressing pressure: approx. 22 t at 180 bar oil pressure
- Pushing speed: 80 sec. At 120 liters of oil
- Loading floor: aluminum and stainless steel
- Disc / drum brakes
- Removable crossbar
- LED lighting



Push Trailer

- Volume: approx. 40 m³
- Pressing pressure: approx. 20 t at 250 bar oil pressure
- Pushing speed: 40 sec. At 120 liters of oil
- Loading floor: aluminum and stainless steel
- Removable crossbar
- LED lighting



Push truck construction

Huning Umwelttechnik GmbH & Co. KG Centrifuge CP 5

Used in a quarry with floor washing plant.
The ultrafine fraction of the screening plant has so far been in muddy consistency in lagoons stored.
With the Huning Centrifuge CP5, these sludges can now be processed into a puncture resistant material.
Throughput: 20t discharge / hr.



Screw Press

Model: SP 600HD
Power: 5-15m³ / h
Engine: 5.5 KW
Application for biogas plants

THE HUNING GROUP

Versatility, flexibility and competence:
these are the hallmarks of the HUNING Group

In the six areas of mechanical engineering, environmental engineering, plant construction, vehicle construction, stirring and pumping technology and new energies we are creating innovative solutions for agriculture, manufacturing, public institutions and communities, energy producers and industry. More than 350 specialists work for the success of the worldwide customers of the HUNING Group.



Planning - Distribution - Sales - Service



BRAND Rühr- und Pumptechnik GmbH
Wellingholzhausener Str. 6, 49324 Melle
Tel.: +49 (0) 5422-608600, Fax: +49 (0) 5422-608611
Email: info@brand-melle.de, Internet: www.brand-melle.de